

- 1 cylinder
- 224 cm³
- 3,5 kW/4,8 HP
- 3600 r.p.m.
- Nm 10,4@2400

Available homologation

- ECE R 24 ▲

Construction

- 4 -stroke air cooled diesel engine.
- Conical power take-off on crankshaft.
- Anticlockwise rotation.
- Direct injection.
- Forced lubrication with oil pump.
- Centrifugal mass governor.
- Built-in full flow oil filter.
- Oil breathing blow-by with safety device.
- Automatic extra fuel starting device.
- Self bleeding fuel system.
- Torque regulator.
- Automatic compression release.
- Die-cast aluminium crankcase with integral cast iron cylinder liner.
- Aluminium alloy cylinder head.
- Built-in rigid feet.



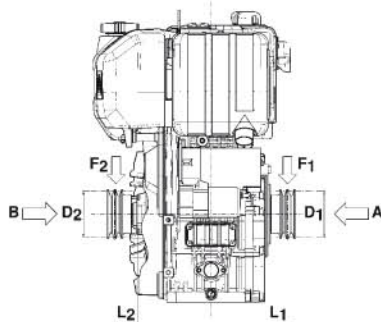
Applications

- Two-wheel tractor
- Agricultural mower
- Agricultural pump
- High pressure cleaner
- Generating set
- Vibrating plate

Specifications

Cylinders	N.	1
Displacement	cm ³	224
Bore	mm	69
Stroke	mm	60
Compression ratio		21:1
Rating kW/HP	N (80/1269/CEE) ISO 1585	3,5/4,8
	NB ISO 3046 IFN	3,3/4,5
	NA ISO 3046 ICXN	3,1/4,2
Max. torque	Nm	10,4@2400
Min. idling speed		950±1000
Fuel tank capacity	l	3
Oil consumption	kg/h.	0,0021
Oil sump capacity	l	0,9
Min. allowable oil pressure	bar	1÷1,5
Max. allowable inclination for:		
- short periods of operation (max. time 30 minutes)		25°
- peak values (max. time 1 minute)		35°
Cap. of air required for correct combustion @ 3600 r.p.m.	l/min.	350
Cap. of air required for correct cooling @ 3600 r.p.m.	l/min.	3800
Dry weight	kg	28
Recommended battery	V/Ah	12/36

Minimum pulley diameters for belt drive



$$D_2 \text{ (mm)} \geq 740 [90 + L_2 \text{ (mm)}] \frac{N \text{ (kW)}}{n \text{ (RPM)}}$$

$$D_1 \text{ (mm)} \geq 820 [55 + L_1 \text{ (mm)}] \frac{N \text{ (kW)}}{n \text{ (RPM)}}$$

Max. intermittent axial load in both directions A-B = 150 kg

$$F_2 \text{ (N)} \leq \frac{77000}{90 + L_2 \text{ (mm)}}$$

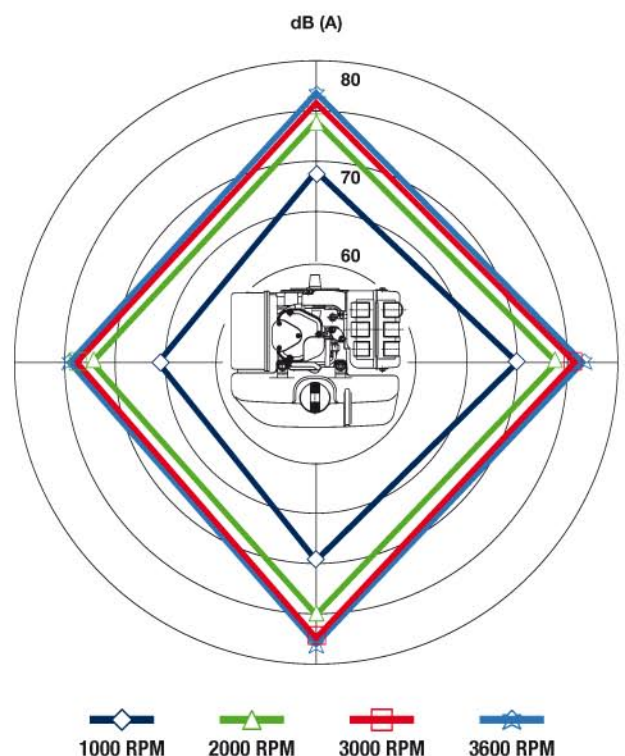
$$F_1 \text{ (N)} \leq \frac{70000}{55 + L_1 \text{ (mm)}}$$

Maximum radial force on pulley for belt drive



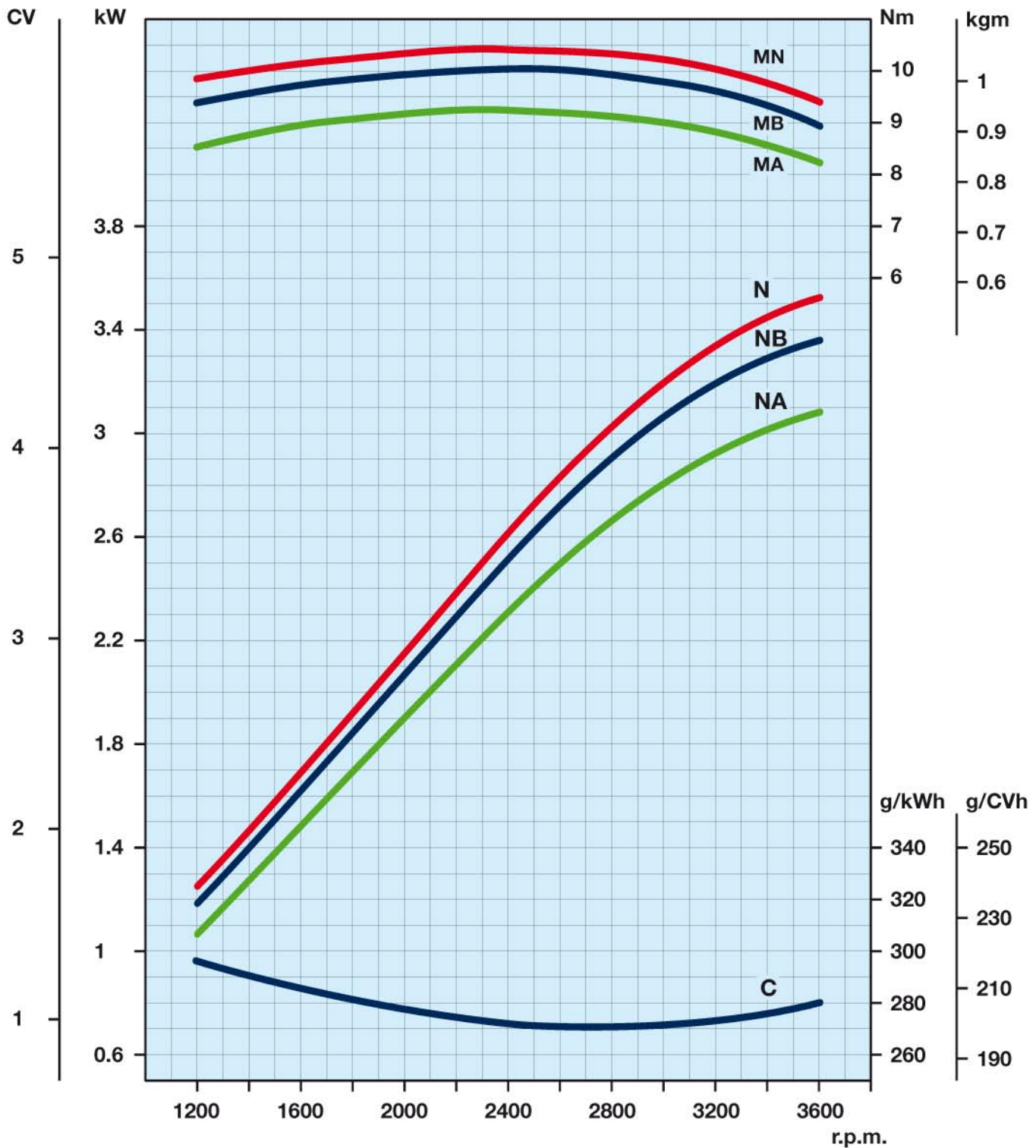
Sound pressure level dB (A)

Sound level polar diagram open field - 7 meters microphone - no load running engine.



SERIE 15LD

Curves 15LD 225 ▲



N Power curve - 80/1269/CEE - ISO 1585 -

NB Power curve - ISO 3046 - IFN -

NA Power curve - ISO 3046 - ICXN -

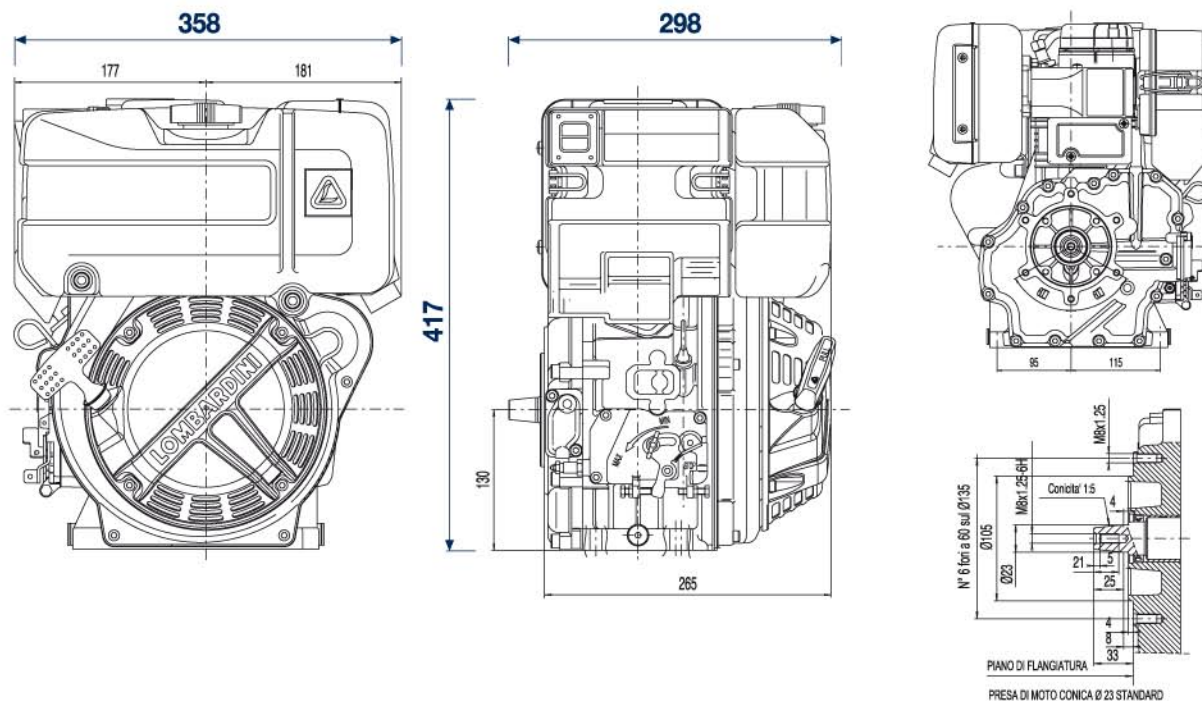
MN Torque curve - (N curve)

MB (NB curve) - **MA** (NA curve)

C Specific fuel consumption - (NB curve)

Power ratings refer to engines equiped with air filter, standard muffler, after being run in and in ambient conditions of 20°C and 1 bar. Power levels drop by 1% every 100m altitude and by 2% every 5°C above 20°C.

Technical drawings *



* More specific dimensions are available on www.lombardini.it (see table at the bottom of the page)

Standard equipment

Recoil starting and automatic compression release
 Fuel tank
 Fuel filter
 Dry-air cleaner
 Muffler with guard
 Accelerator and stop manual control
 User maintenance-spare parts booklet

Accessories

Power take-off flywheel side (engines with electrical starting)
 Power take-offs with flanging and special shaft
 Parallel crankshaft
 Internal dynamic balancer
 Oil-bath air-cleaner
 Electric start 12 V / 24 V
 Keyswitch panel
 Emergency stop through electrovalve
 Accelerator and stop remote control
 Key start panel with shutdown device
 Fuel lift pump
 Oil dipstick on cylinder head
 Oil pressure switch
 Oil temperature switch
 Glow plug on intake manifold
 Recoil with denoising cover
 Grass protection for engine cooling



ISO 9001 Cert. n. 0446 - 1405
 QS. 9000 Cert. n. 2231/0

LOMBARDINI
 A KOHLER COMPANY

Via Cav. del Lavoro Adelmo Lombardini, 2
 42100 Reggio Emilia Italia
 Tel. ++39 0522.3891 Fax ++39 0522.389503
www.lombardini.it

Files for this product available on www.lombardini.it

Data sheet	15LD225DS.PDF
Owner manual	15LD225OM.PDF
Service manual	15LD225SM.PDF
Technical drawing	15LD225TD.DWG
Power curve	15LD225PC.PDF

LOMBARDINI RESERVES THE RIGHT TO MAKE MODIFICATIONS WITHOUT PRIOR NOTICE

cod. 3558087 - 07-2008