

SILENCED version

- 1 cylinder
- 349 cm³
- 5,0 kW/6,8 HP
- 3600 r.p.m.
- Nm 14,7 @ 2200 rpm



Construction

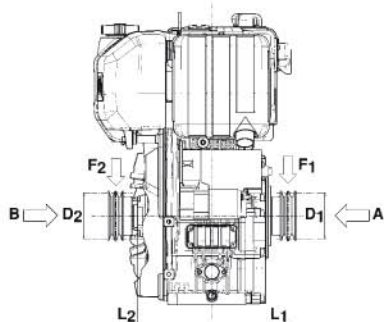
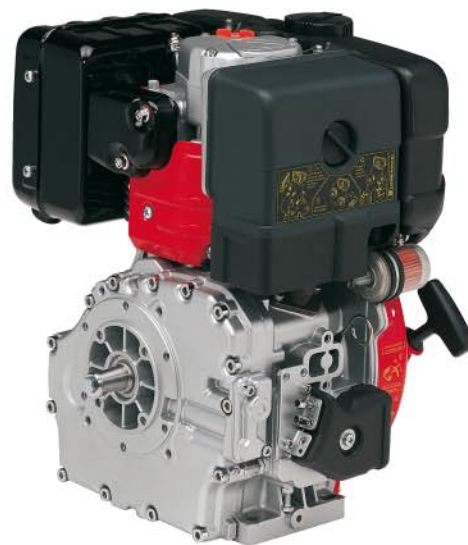
- 4 -stroke air cooled diesel engine.
- Conical power take-off on crankshaft.
- Anticlockwise rotation.
- Direct injection.
- Forced lubrication with oil pump.
- Centrifugal mass governor.
- Built-in full flow oil filter.
- Oil breathing blow-by with safety device.
- Automatic extra fuel starting device.
- Self bleeding fuel system.
- Torque regulator.
- Automatic compression release.
- Die-cast aluminium crankcase with integral cast iron cylinder liner.
- Aluminium alloy cylinder head.
- Built-in rigid feet.

Applications

- Generating set
- Vibrating plate
- Motor-welder
- Two-wheel tractor
- Agricultural mower
- Agricultural pump
- High pressure cleaner

Specifications

Cylinders	N.	1
Displacement	cm ³	349
Bore	mm	82
Stroke	mm	66
Compression ratio		20,3:1
Rating kW/HP	N (80/1269/CEE) ISO 1585	5,0/6,8
	NB ISO 3046 IFN	4,6/6,2
	NA ISO 3046 ICXN	4,1/5,6
Max. torque	Nm	14,7@2200
Min. idling speed		950±1000
Fuel tank capacity	l	4,3
Oil consumption	kg/h.	0,0030
Oil sump capacity	l	1,2
Min. allowable oil pressure	bar	1
Max. allowable inclination for:		
- short periods of operation (max. time 30 minutes)		25°
- peak values (max. time 1 minute)		35°
Cap. of air required for correct combustion @ 3600 r.p.m.	l/min.	540
Cap. of air required for correct cooling @ 3600 r.p.m.	l/min.	5000
Dry weight	kg	33
Recommended battery	V/Ah	12/44
Minimum pulley diameters for belt drive		



$$D_2 \text{ (mm)} \geq 860 [60 + L_2 \text{ (mm)}] \frac{N \text{ (kW)}}{n \text{ (RPM)}}$$

$$D_1 \text{ (mm)} \geq 820 [55 + L_1 \text{ (mm)}] \frac{N \text{ (kW)}}{n \text{ (RPM)}}$$

Max. intermittent axial load in both directions A-B = 200 kg

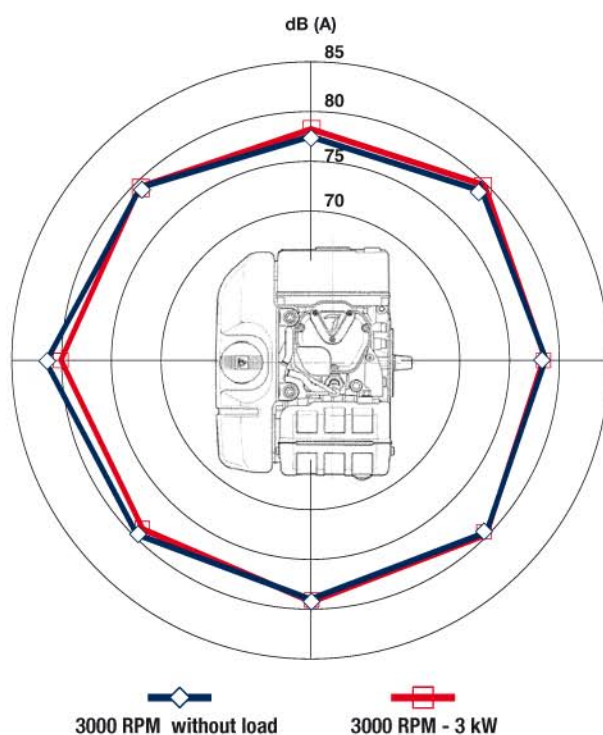
$$F_2 \text{ (N)} \leq \frac{67000}{60 + L_2 \text{ (mm)}}$$

$$F_1 \text{ (N)} \leq \frac{70000}{55 + L_1 \text{ (mm)}}$$

Maximum radial force on pulley for belt drive

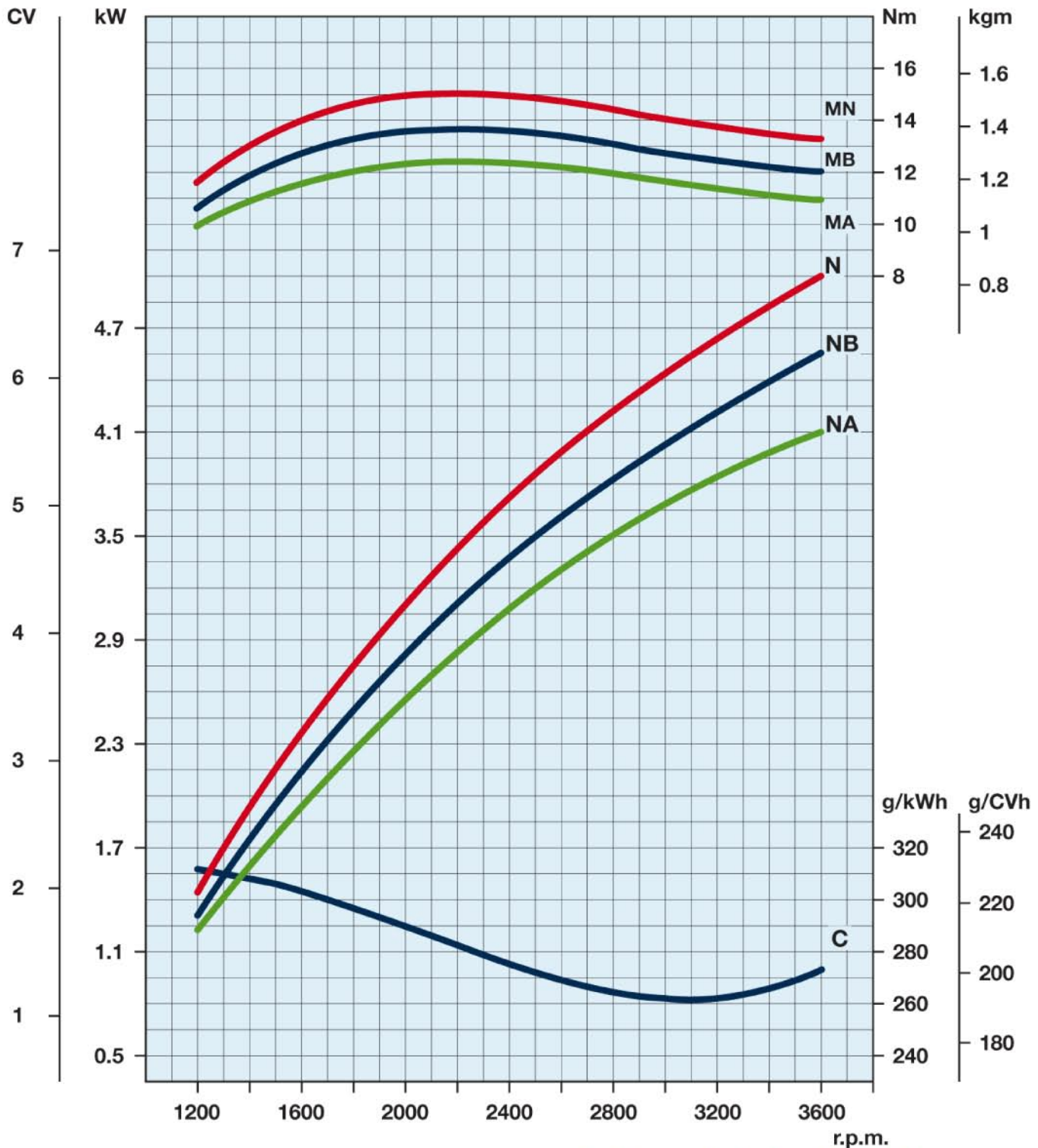
Sound pressure level dB (A)

Sound level polar diagram open field - 4 meters at 3000 rpm on generating set without canopy.



SERIE 15LD S

Curves 15LD 350S



N	Power curve - 80/1269/CEE - ISO 1585 -
NB	Power curve - ISO 3046 - IFN -
NA	Power curve - ISO 3046 - ICXN -
MN	Torque curve - (N curve)
MB (NB curve) - MA (NA curve)	
C	Specific fuel consumption - (NB curve)

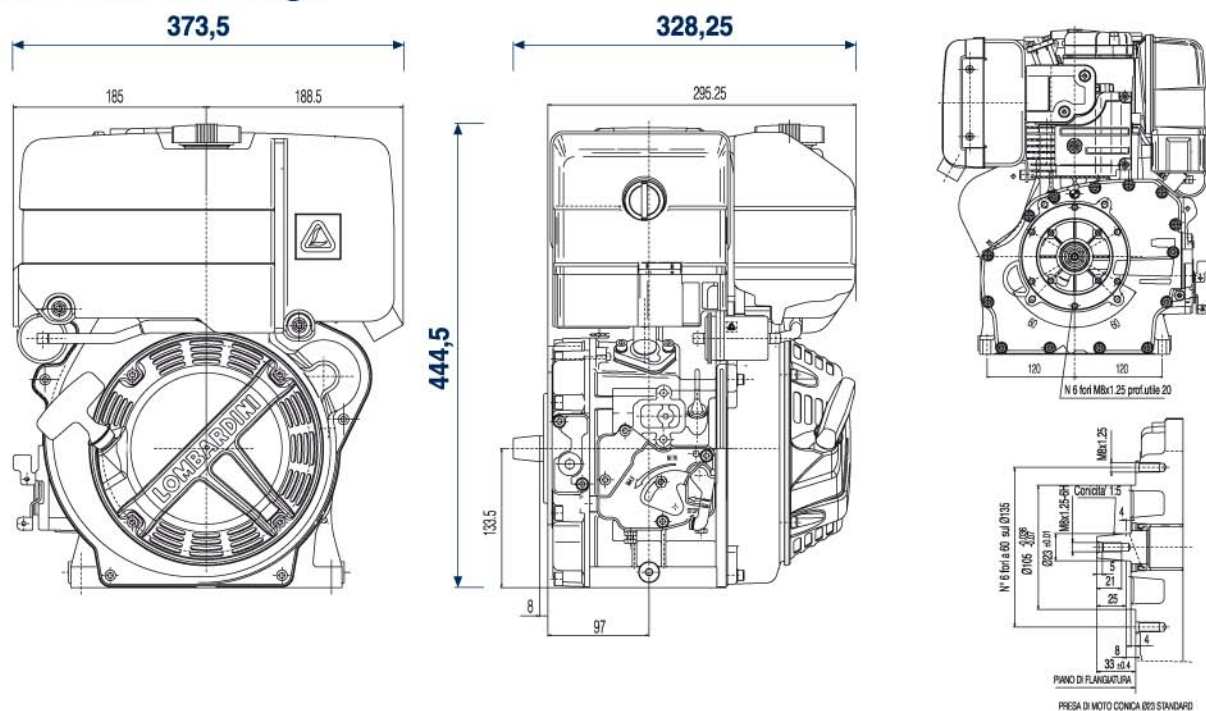
Output power for fixed speed application (including generating sets)

Engine power kW

r.p.m.	Intermittent (NB)	Continuous (NA)
3000	4,1	3,7

Power ratings refer to engines equipped with air filter, standard muffler, after being run in and in ambient conditions of 20°C and 1 bar. Power levels drop by 1% every 100m altitude and by 2% every 5°C above 20°C.

Technical drawings *



* More specific dimensions are available on www.lombardini.it (see table at the bottom of the page)

Standard equipment

Recoil starting and automatic compression release
 Fuel tank
 Fuel filter
 Dry-air cleaner
 Muffler with guard
 Accelerator and stop manual control
 User maintenance-spare parts booklet

Accessories

Power take-off flywheel side (engines with electrical starting)
 Power take-off with flanging and special shaft
 Parallel crankshaft
 Internal dynamic balancer
 Oil-bath air-cleaner
 Electric start
 Keyswitch panel
 Emergency stop through electrovalve
 Accelerator and stop remote control
 Single lever panel
 Panel protection
 Fuel lift pump
 Oil dipstick on cylinder head
 Oil pressure switch
 Oil temperature switch
 Glow plug on intake manifold
 High capacity oil sump
 Recoil with denoising cover
 Grass protection for engine cooling



ISO 9001 Cert. n. 0446 - 1405
 QS. 9000 Cert. n. 2231/0

LOMBARDINI
 A KOHLER COMPANY

Via Cav. del Lavoro Adelmo Lombardini, 2
 42100 Reggio Emilia - Italia
 Tel. ++39 0522.3891 - Fax ++39 0522.389503
www.lombardini.it

Files for this product available on www.lombardini.it

Data sheet	15LD350DS.PDF
Owner manual	15LD350OM.PDF
Service manual	15LD350SM.PDF
Technical drawing	15LD350TD.DWG
Power curve	15LD350PC.PDF

LOMBARDINI RESERVES THE RIGHT TO MAKE MODIFICATIONS WITHOUT PRIOR NOTICE

cod. 3558282 - 07-2008