

- 2 cylinders
- 654 cm<sup>3</sup>
- 12,0 kW/16,3 HP
- 3600 r.p.m.
- Nm 32,0@2400

## Available homologation

- ECE R 24 ▲

## Construction

- 4-stroke air cooled diesel engine
- Direct injection
- Air cooled by fan integral to the flywheel
- Mechanical fuel lift pump
- Forced lubrication with oil pump
- Full flow oil filtration with external cartridge filter
- Automatic extra fuel starting device
- Torque regulator
- Centrifugal speed governor
- Crankcase in die-cast aluminium
- Electric starting
- Counter-clockwise rotation (viewed from power take-off side)
- Aluminium alloy independent heads
- Independent cast iron cylinders
- Power take-off on crankshaft



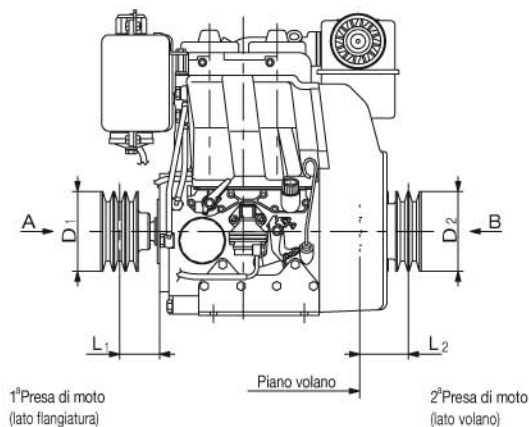
## Applications

- Dumper
- Vibrating Roller
- Generating Set
- Welding Set
- High pressure cleaner
- Transporter
- Hydraulic power pack
- Agricultural pump
- Two-wheel tractor

## Specifications

Cylinders	N.	2
Displacement	cm <sup>3</sup>	654
Bore	mm	80
Stroke	mm	65
Compression ratio		19:1
Rating kW/HP	N (80/1269/CEE) ISO 1585	12,0/16,3
	NB ISO 3046 IFN	11,2/15,2
	NA ISO 3046 ICXN	10,3/14,0
Max. torque	Nm	32,0@2400
Max. torque 3 P.T.O.	Nm	18,0
Counterclockwise rotation		
Engine speed - 3 P.T.O. ratio		1:0,87
Minimum idling speed r.p.m.		1000
Fuel tank capacity	l	4
Oil consumption	kg/h.	0,007
Oil sump capacity	l	1,8
Min. allowable oil pressure	bar	0,8
Max. allowable inclination for:		
- short periods of operation (max. time 30 minutes)		25°
- peak values (max. time 1 minute)		35°
Cap. of air required for correct combustion @ 3600/3000 r.p.m.	l/min.	1050/875
Cap. of air required for correct cooling @ 3600/3000 r.p.m.	l/min.	11700/9750
Dry weight	kg	50
Recommended battery	V/Ah	12/55
Axial load	(continuous)	kg 100
	(intermittent)	kg 300

Minimum pulley diameters for belt drive



$$D_1 \text{ (mm)} \geq 585 [49 + L_1 \text{ (mm)}] \quad \frac{N \text{ (kW)}}{n \text{ (RPM)}}$$

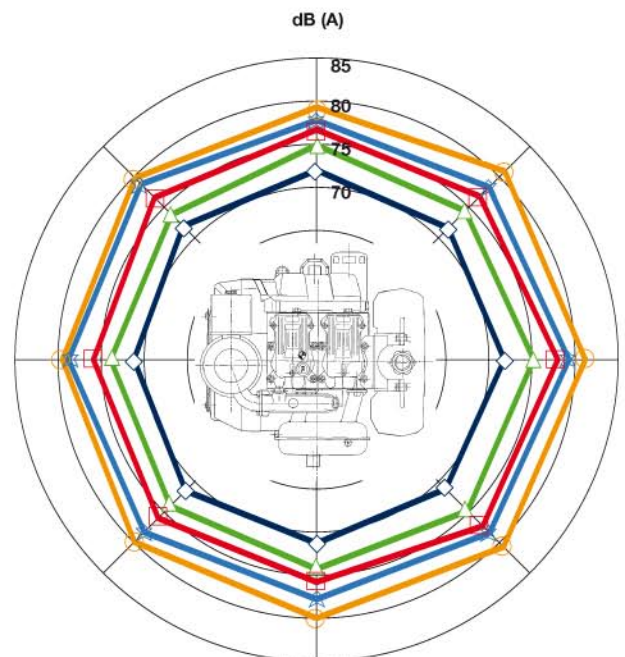
$$D_2 \text{ (mm)} \geq 1030 [31 + L_2 \text{ (mm)}] \quad \frac{N \text{ (kW)}}{n \text{ (RPM)}}$$

Max. intermittent axial load in both directions A-B = 300 kg



## Sound pressure level dB (A)

Sound level polar diagram open field - 7 meters microphone - no load running engine.

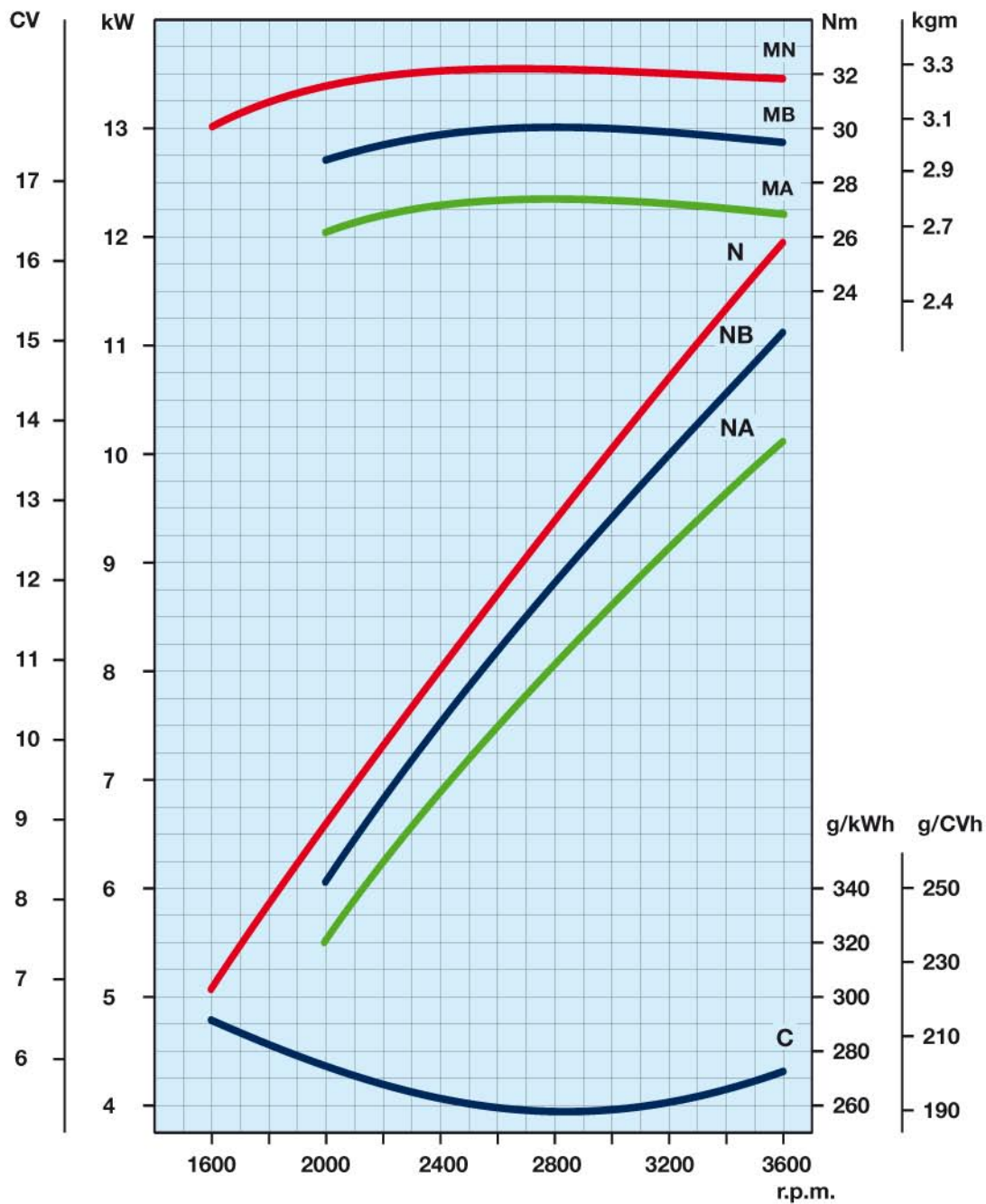


1500 RPM 2000 RPM 2500 RPM 3000 RPM 3600 RPM

# SERIE 25LD

## Curves

25LD 330/2 @ 3600 r.p.m. ▲



<b>N</b>	Power curve - 80/1269/CEE - ISO 1585 -
<b>NB</b>	Power curve - ISO 3046 - IFN -
<b>NA</b>	Power curve - ISO 3046 - ICXN -
<b>MN</b>	Torque curve - (N curve)
	<b>MB</b> (NB curve) - <b>MA</b> (NA curve)
<b>C</b>	Specific fuel consumption - (NB curve)

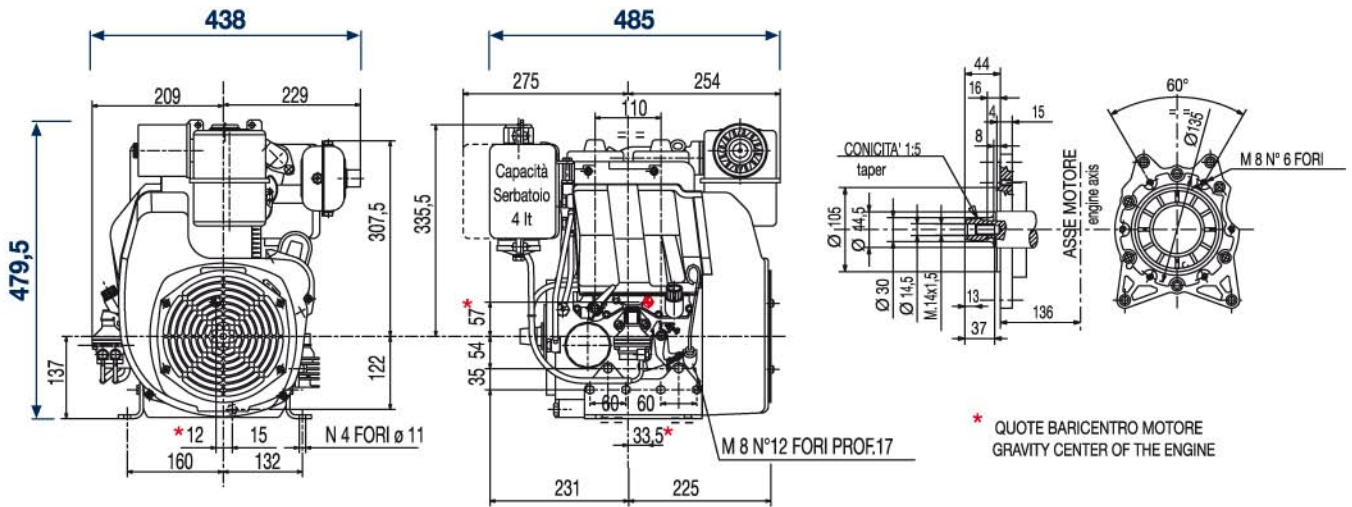
### Output power for fixed speed application (including generating sets)

#### Engine power kW

r.p.m.	Intermittent (NB)	Continuous (NA)
3600	11,2	10,3
3000	9,4	8,6

Power ratings refer to engines equippe with air filter, standard muffler, after being run in and in ambient conditions of 20°C and 1 bar.  
Power levels drop by 1% every 100m altitude and by 2% every 5°C above 20°C.

## Technical drawings \*



\* More specific dimensions are available on [www.lombardini.it](http://www.lombardini.it) (see table at the bottom of the page)

## Standard equipment

- Electric starting with 12V starter motor and alternator
- Black paint on sheet metal parts
- Remote throttle
- Oil bath air filter with prefilter
- Internal oil filter with net
- Oil pressure switch
- Combined manifold and exhaust muffler
- Engine feet
- Power take-off on crankshaft
- Keyswitch panel
- Fuel lift pump
- Counter-clockwise rotation on power take-off side
- Fuel tank with filter
- Automatic extra fuel device
- Use, maintenance and spare parts booklet

## Accessories

- Different guards according to use
- Range of alternative alternators
- Compression release
- Flanges
- Dry air filter
- External oil filter
- External fuel filter
- Clutches
- Range of flywheels for various clutches
- Hydraulic pump adapters
- Range of fuel tanks of various sizes
- Mufflers and exhaust pipes
- Controls
- Pulleys
- Varnishing



ISO 9001 Cert. n. 0446 - 1405  
QS. 9000 Cert. n. 2231/0

**LOMBARDINI**  
A KOHLER COMPANY

Via Cav. del Lavoro Adelmo Lombardini, 2  
42100 Reggio Emilia - Italia  
Tel. ++39 0522.3891 - Fax ++39 0522.389503  
[www.lombardini.it](http://www.lombardini.it)

Files for this product available on [www.lombardini.it](http://www.lombardini.it)

Data sheet	25LD330DS.PDF
Owner manual	25LD330OM.PDF
Service manual	25LD330SM.PDF
Technical drawing	25LD330TD.DWG
Power curve	25LD330PC.PDF

LOMBARDINI RESERVES THE RIGHT TO MAKE MODIFICATIONS WITHOUT PRIOR NOTICE

cod. 3558199 - 07-2008